



www.daihatsu.com.my

DELTA

GVW: 4,500/5,000/7,000kg

耐用, 靈活, 可靠

DURABLE
VERSATILE
RELIABLE



讓您的生意大展鴻圖

Take your business to New Heights



Body Types 車斗款型



Wooden Cargo Body



Luton Van Mild Steel Body



Wooden Cargo Tipper



Box Van



Steel Cargo Body

Subject to approval of plan by local authorities
有待地方當局核准的構造

哪怕沉重的負荷 · 或是 HEAVY LOADS · TOUGH

THE HIGHWAY KING IS THE VALUE FOR MONEY CHOICE

大道之



New Body Stripes

Colourful trendy stripes add vibrancy to your journey.

新穎的車身裝飾條紋

顏色鮮艷時髦的車身裝飾條紋令整輛車的外觀更醒目。



Comfortable Seats

The Delta's seating system is designed for optimum comfort. The separate driver's seat slides a full 120mm and reclines up to 12° to minimize fatigue during long drives. Spacious cabin allows occupants to stretch out and relax.

舒服的座椅

大發的Delta座位系統旨在製造至佳的乘坐舒適性。

分開的可機座椅可挪移120毫米及取得低達12°的角度。

寬敞的車廂有足夠的空間讓駕駛者舒適的伸展手脚及放鬆身體。



Specifications			V116HA	V116HU	V58R-HS
Overall length	全長	mm	6022	6022	4785
Overall width	全闊	mm	2241	2241	1860
Overall height	全高	mm	2120	2120	2005
Wheelbase	輪距	mm	3275	3275	2490
Track front	前輪軸	mm	1630	1630	1410
Track rear	後輪軸	mm	1470	1470	1360
Min. road clearance	最低離地距	mm	200	200	190
Seating capacity	載客量		3	3	3
Kerb weight (chassis)	車重 (車底盤)	kg	1950	2360	1530
Gross vehicle weight	車身連載荷重量	kg	5000	7000	4500
Min. turning radius	最低迴轉半徑	m	6.5	6.5	5.3
Engine	引擎		Water-cooled, 4-cylinder, 4-cycle, O.H.V., direct injection 14B diesel engine		Water-cooled, 4-cylinder, 4-cycle, DL diesel engine
Total displacement	容積	cc	3660		2765
Bore X stroke	口徑乘衝程	mm	102 X 112		92 X 104
Max. output	最大馬力 (SAE net)		70kW (93.9HP)/3400rpm		56kW (75HP)/3800rpm

Specification	
Max. torque	最大扭力
Gear ratio	齒輪比
Compression ratio	壓縮比
Fuel tank capacity	燃料箱容量
Clutch	離合器
Steering type	駕駛系統
Main brakes	主剎車
Parking brake	手剎車
Suspension	懸吊系統
Tyres front	前輪胎
Tyres rear	後輪胎

Engine 引擎

V58

2,765cc
56kW / 3,800rpm (SAE Net)
170N-m / 2,200rpm (SAE Net)

Tough Performance Green Engine

The clean emission Swirl-Chamber type diesel engine is easy to maintain. It delivers high torque throughout the engine speed range, yet tough, economical and extremely quiet.

性能強韌的綠引擎

採用排氣清潔及容易保養的旋轉式燃料室，並能夠在更廣的轉速範圍內發揮特強扭力的這台柴油引擎，強韌、經濟及特別寧靜。



V116

3,660cc
70kW / 3,400rpm (SAE Net)
240N-m / 2,000rpm (SAE Net)

Powerful Fuel Efficient Engine

Direct-Injection System diesel engine delivers optimum power with low noise and superb fuel economy. Its durable valve mechanism ensures excellent reliability.

強大省油的引擎

引擎採用直接柴油注射工藝，能在發揮至佳動力的同時，降低噪音及取得高超的燃料經濟。強韌的氣閥構造確保引擎性能可靠。



V58

V116

或是崎嶇的道路 TOUGH ROADS

大道之王是您物有所值的明智選擇



Power Steering



Responsive power steering enables maneuvering with minimal effort especially when parking.

動力駕駛盤

反應靈敏的駕駛盤讓司機更易駕控，尤其是在停泊時。

Extra Strong Box Chassis Frame



Added stability to withstand twisting and heavy stress from any direction.

特強的箱形底盤結構

更平穩及更能抵抗扭曲及來自任何方向的高壓力。

Enhanced Features 加強特色



Air-Cond Louvre
Position the louvre to control the direction of cool air flow.

冷氣機葉片
更易調節冷氣吹風角度。



New Kangaroo Bar
Tough bar provides extra protection.

◆新的裝鼠防撞桿
堅固的裝鼠防撞桿提供更好的保護。



Roof Ventilator
Circulates fresh air into the cabin for a more pleasant drive.
(Applicable for V116 only)

◆車頂空氣調節風孔
讓車廂空氣更流通。
(只適用於V116型車)



Radio & Cassette Player
AM/FM radio with stereo cassette player provides light entertainment when travelling.

◆收音機及式唱機
備有AM/FM台的雙聲道唱機
讓行我不至枯燥乏味。

Specifications		V116HA	V116HU	V58R-HS
Max. torque	最大扭力 (SAE net)	240Nm (24.4kg-m)/2000rpm		170Nm (17.3kg-m)/2200rpm
Gear ratio	牙檔比率	1st	5.339	5.285
		2nd	2.793	2.819
		3rd	1.593	1.658
		4th	1.000	1.000
		5th	0.789	0.786
		Rev Final	5.339	5.718
Compression ratio	壓縮力	18.0		21.2
Fuel tank capacity	燃料箱容積 litre	100		85
Clutch	離合器	Dry single plate, hydraulic diaphragm		
Steering type	駕駛系統	Power steering recirculating ball		
Main brakes	主制動器	Hydraulic Dual Circuit System with Hydraulic Tandem Master Cylinder and Booster		
Parking brake	泊車掣	Internal expansion type (propeller shaft control)		
Suspension	懸掛系統	Rigid axle with semi oval spring and telescopic double acting shock absorbers		
Tyres front	前輪胎	7.00 - 16 - 10PR (single)	7.5 - 16 - 12PR (single)	7.0 - 16 - 10PR (single)
Tyres rear	後輪胎	7.00 - 16 - 10PR (dual)	7.5 - 16 - 12PR (dual)	7.0 - 16 - 10PR (single)



V116HA/HU



Body Types 車斗款式



Wooden Cargo Body



Luton Van Mild Steel Body



Wooden Cargo Tipper



Box Van



Steel Cargo Body

Subject to approval of plan by local authorities
有特地方當局核准的標圖



Power & Reliability for any handling job

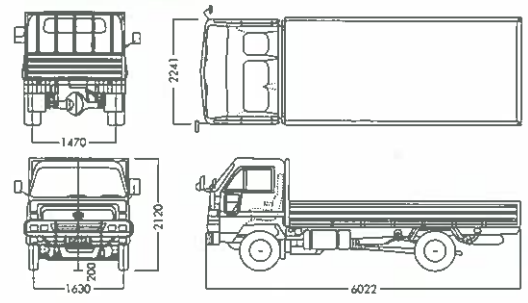
動力無限，安全可靠
符合您的需求



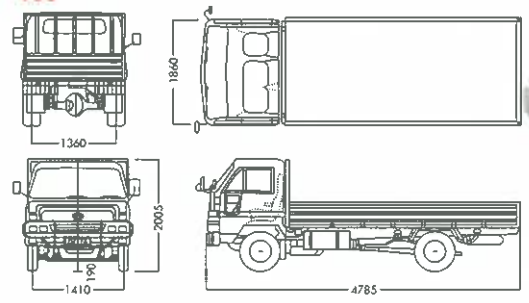
Daihatsu reserves the right to make changes at any time, without notice, in prices, colours, materials, equipment, specification and models, and also to discontinue models.

Daihatsu 保留權力在不必先通知情況下更改價格·顏色·材料·配備·規格及款型以及有權停該款型。

V116HA/V116HU



V58



BRANCHES / DEALER'S CHOP 分行 / 銷售商蓋章



DAIHATSU (MALAYSIA) SDN. BHD. (55324-H)
 (A subsidiary of MBM Resources Berhad - 284496-V)
 HEAD OFFICE (Spare Parts/Service Centre): Lot 1, Jalan Keluli, Section 15, 40200
 Shah Alam, Selangor. Tel: 03-5510 9988 / 7969 Fax: 03- 5510 8872 Hotline: 03-5510 1399

DAIHATSU
THE POWER TO MOVE



V 0105